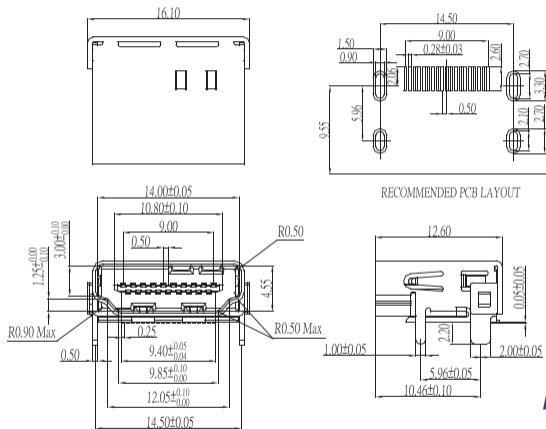


HDMI Female 19 Pin SMT Type



Material:

- 1.1 Housing: L.C.P. color:balck.
- 1.2 Contact:Phosphor bronze T=0.25mm.
- 1.3 Shell:Copper alloy T=0.50mm.

Specifications:

- 2.1 Current rating: 0.5 A Max.
- 2.2 Voltage rating: 40 V AC(rms) Max.
- 2.3 Contact resistance: 50 milliohms Max.
- 2.4 Dielectric withstanding voltage: 100 V(ac) for 1 min.
- 2.5 Insulation resistance:1000 MW Min.
- 2.6 Operation temperature range:-25°C~85°C

Part No.:HDMIM-F19 SB BA-U
Selective 10u"